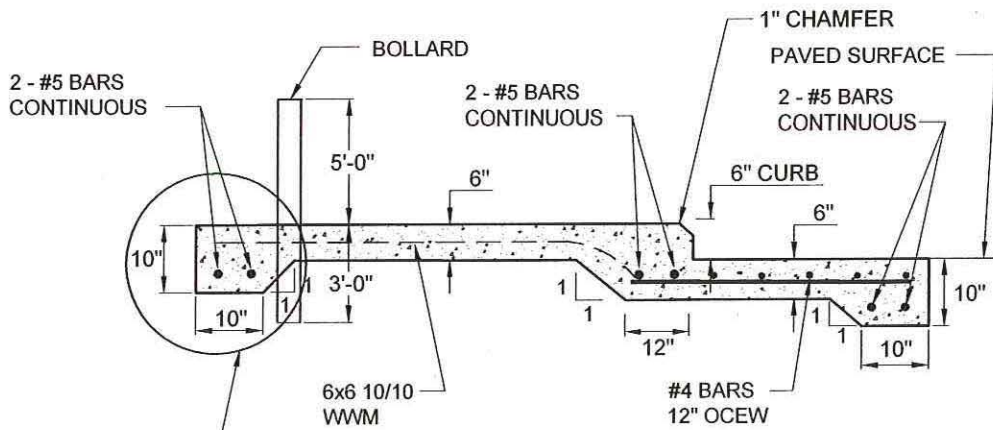


PLAN



SECTION B-B

SECTION A-A

## COMMERCIAL DUMPSTER PAD TYPE 1

NOTES:

1. 'TYPE 1' DUMPSTER PAD IS FOR ALL GENERAL USE PURPOSES INCLUDING RESTAURANT DRY RECYCLABLES APPLICATIONS.
2. USE 'TYPE 1-R' DUMPSTER PAD FOR RESTAURANT FOOD-WASTE APPLICATIONS ONLY.
3. ENGINEER SHALL USE THE CURRENT VERSION OF THE FL BLDG. CODE AND PREPARE A COMPLETE STRUCTURAL DESIGN FOR THE DUMPSTER PAD AND APPROACH PAD MEETING THE MINIMUM CRITERIA SET FORTH IN THIS CITY STANDARD.

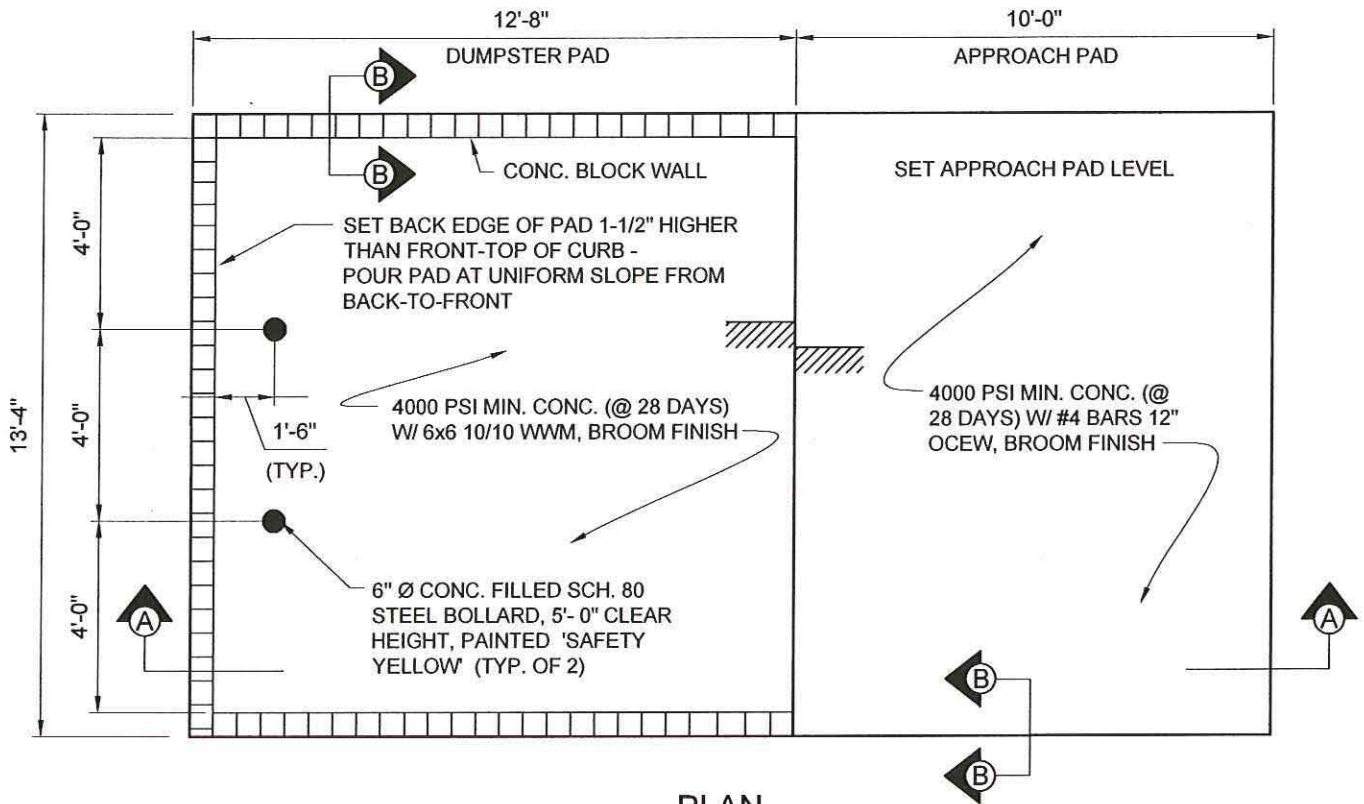


CITY OF OCALA  
**STANDARD**

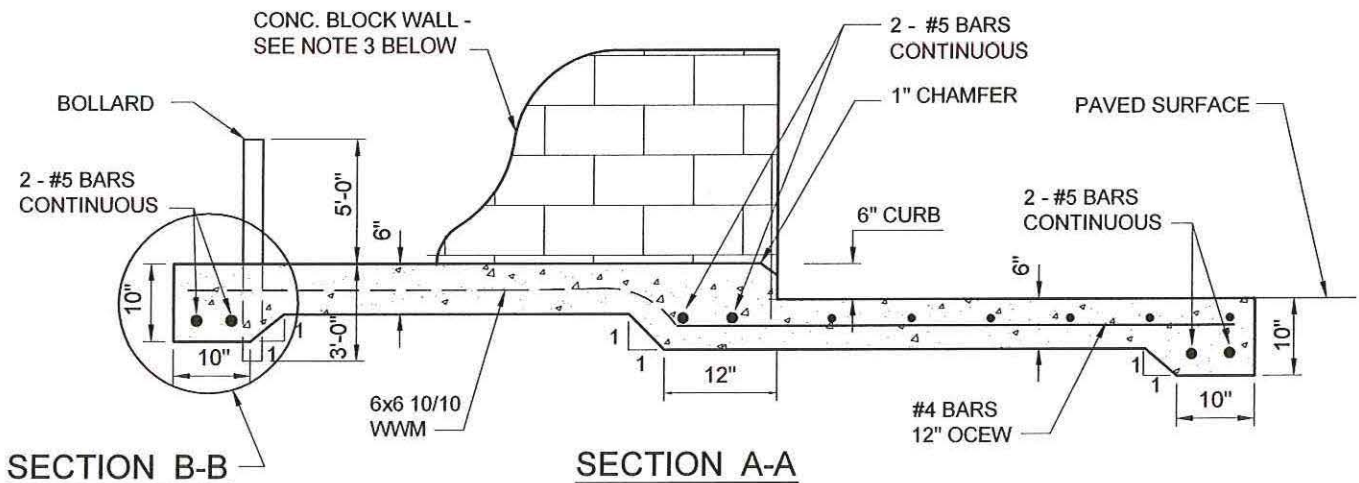
**DUMPSTER PAD**

**D-1**

Version of  
APRIL 1, 2009



PLAN



## COMMERCIAL DUMPSTER PAD TYPE 2

**NOTES:**

1. 'TYPE 2' DUMPSTER PAD IS FOR ALL GENERAL USE PURPOSES INCLUDING RESTAURANT DRY RECYCLABLES APPLICATIONS.
2. USE 'TYPE 2-R' DUMPSTER PAD FOR RESTAURANT FOOD-WASTE APPLICATIONS ONLY.
3. ENGINEER SHALL USE THE CURRENT VERSION OF THE FL BLDG. CODE AND PREPARE A COMPLETE STRUCTURAL DESIGN FOR THE DUMPSTER PAD (INCLUDING FOOTING, 6'-0" MIN. HEIGHT CONC. BLOCK WALLS W/DOWEL RODS, BOND BEAM, WALL CAP, WALL SURFACE TREATMENT), AND FOR THE APPROACH PAD, ALL MEETING THE MINIMUM CRITERIA SET FORTH IN THIS CITY STANDARD.

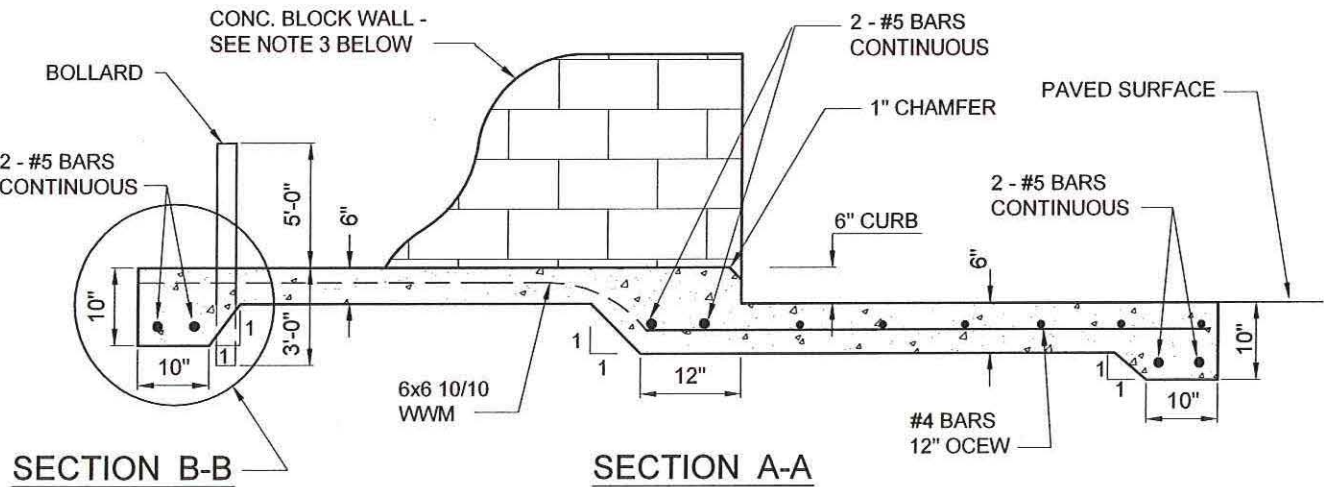
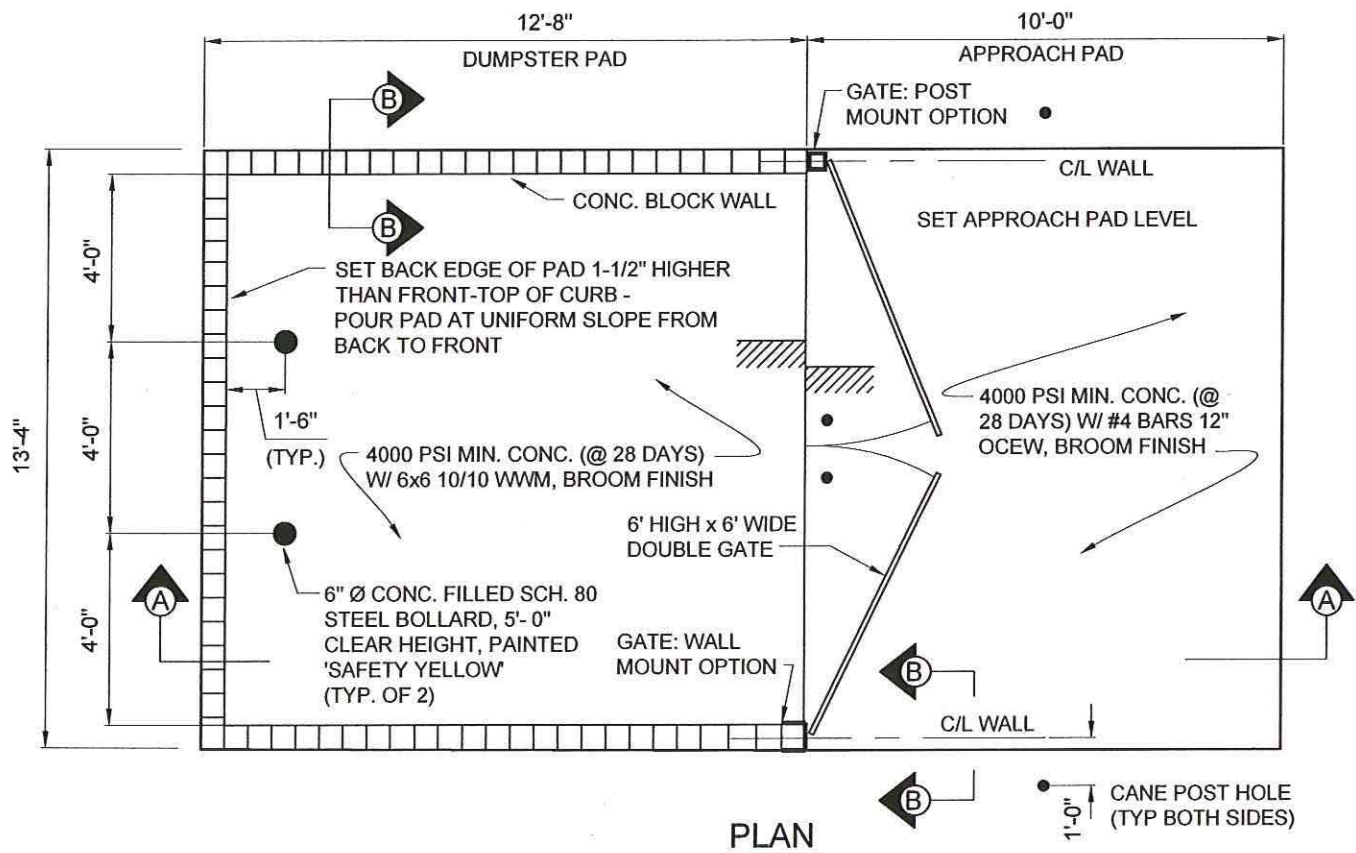


CITY OF OCALA  
**STANDARD**

**DUMPSTER PAD**

**D-2**

Version of  
 APRIL 1, 2009



### COMMERCIAL DUMPSTER PAD TYPE 3

**NOTES:**

1. 'TYPE 3' DUMPSTER PAD IS FOR ALL GENERAL USE PURPOSES INCLUDING RESTAURANT DRY RECYCLABLES APPLICATIONS.
2. USE 'TYPE 3-R' DUMPSTER PAD FOR RESTAURANT FOOD-WASTE APPLICATIONS ONLY.
3. ENGINEER SHALL USE THE CURRENT VERSION OF THE FL BLDG. CODE AND PREPARE A COMPLETE STRUCTURAL DESIGN FOR THE DUMPSTER PAD (INCLUDING FOOTING, 6'-0" MIN. HEIGHT CONC. BLOCK WALLS W/DOWEL RODS, BOND BEAM, WALL CAP, WALL SURFACE TREATMENT, AND GATE POST & GATE DOOR SYSTEM) AND FOR THE APPROACH PAD, ALL MEETING THE MINIMUM CRITERIA SET FORTH IN THIS CITY STANDARD.

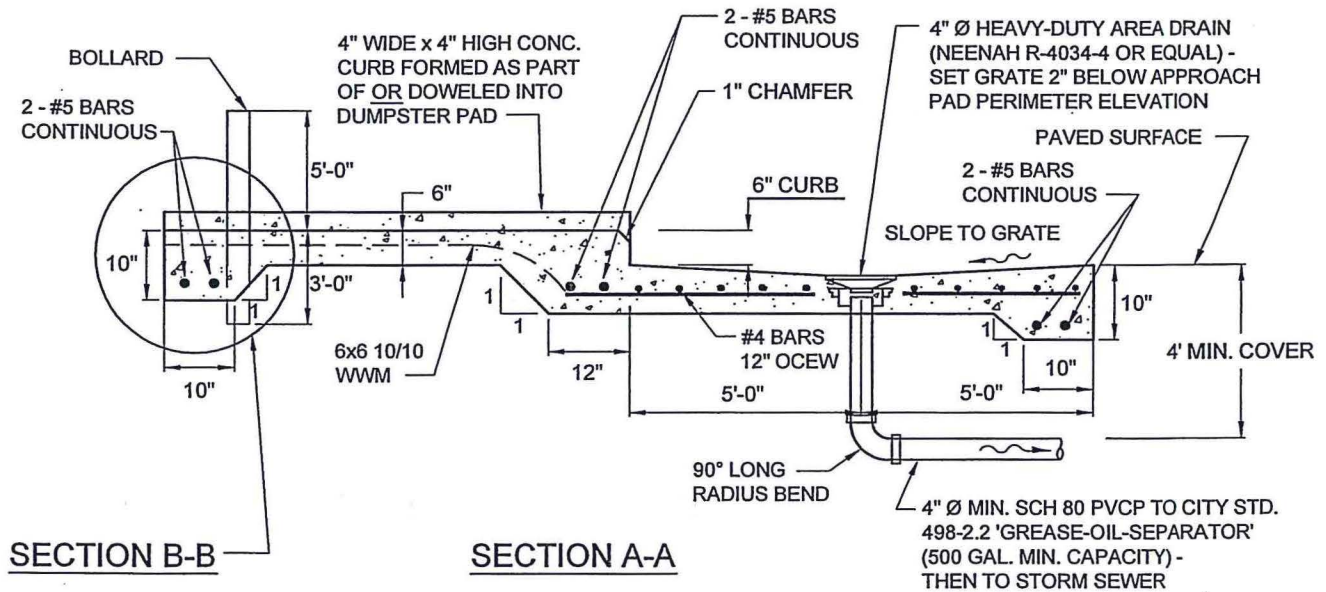
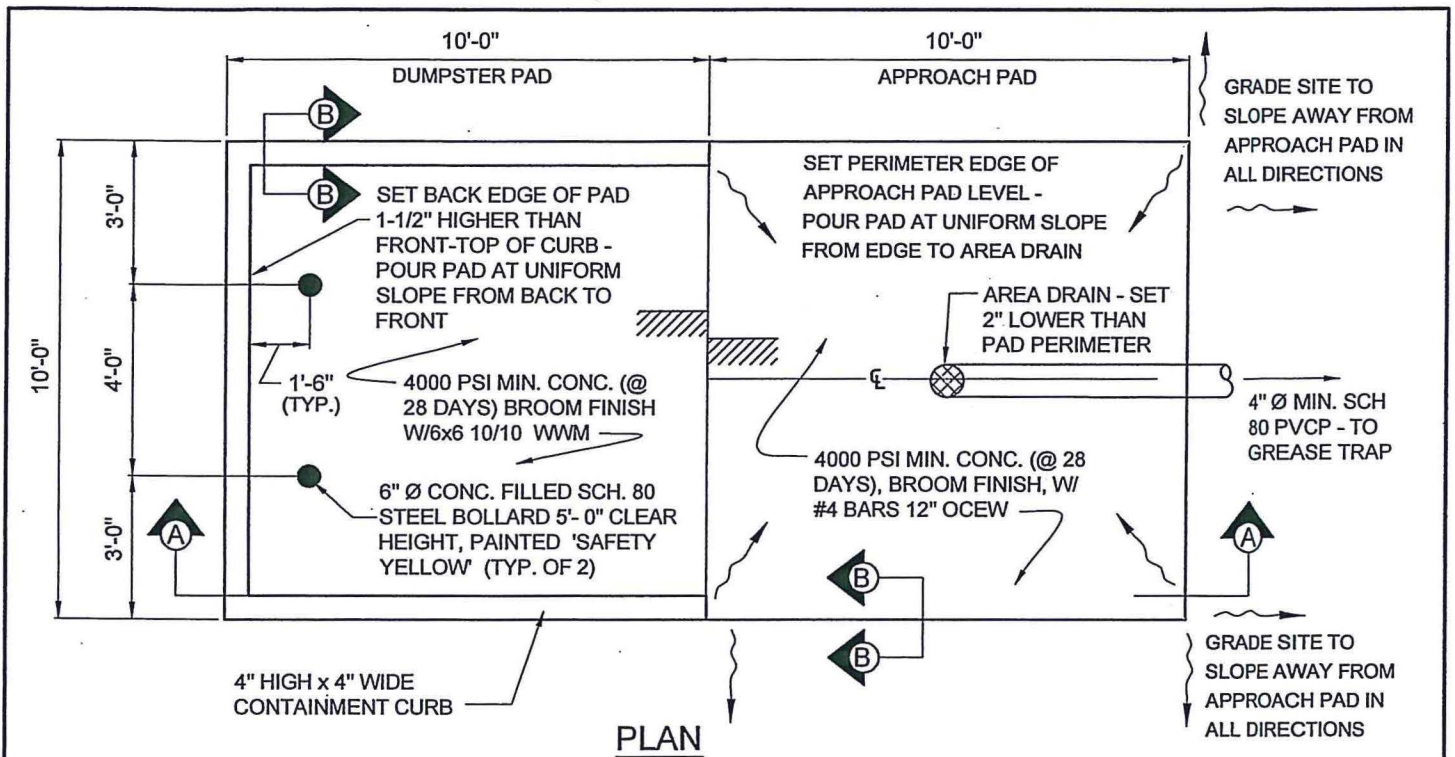


CITY OF OCALA  
**STANDARD**

**DUMPSTER PAD**

**D-3**

Version of  
APRIL 1, 2009



## COMMERCIAL DUMPSTER PAD TYPE 1-R

### NOTES:

1. 'TYPE 1-R' DUMPSTER PAD IS FOR RESTAURANT FOOD-WASTE APPLICATIONS ONLY.
2. USE 'TYPE 1' DUMPSTER PAD FOR ALL GENERAL USE PURPOSES INCLUDING RESTAURANT DRY RECYCLABLES APPLICATIONS.
3. ENGINEER SHALL USE THE CURRENT VERSION OF THE FL BLDG. CODE AND PREPARE A COMPLETE STRUCTURAL DESIGN FOR THE DUMPSTER PAD (INCLUDING FOOTING & CONTAINMENT CURB) AND THE APPROACH PAD, BOTH MEETING THE MINIMUM CRITERIA SET FORTH IN THIS CITY STANDARD.

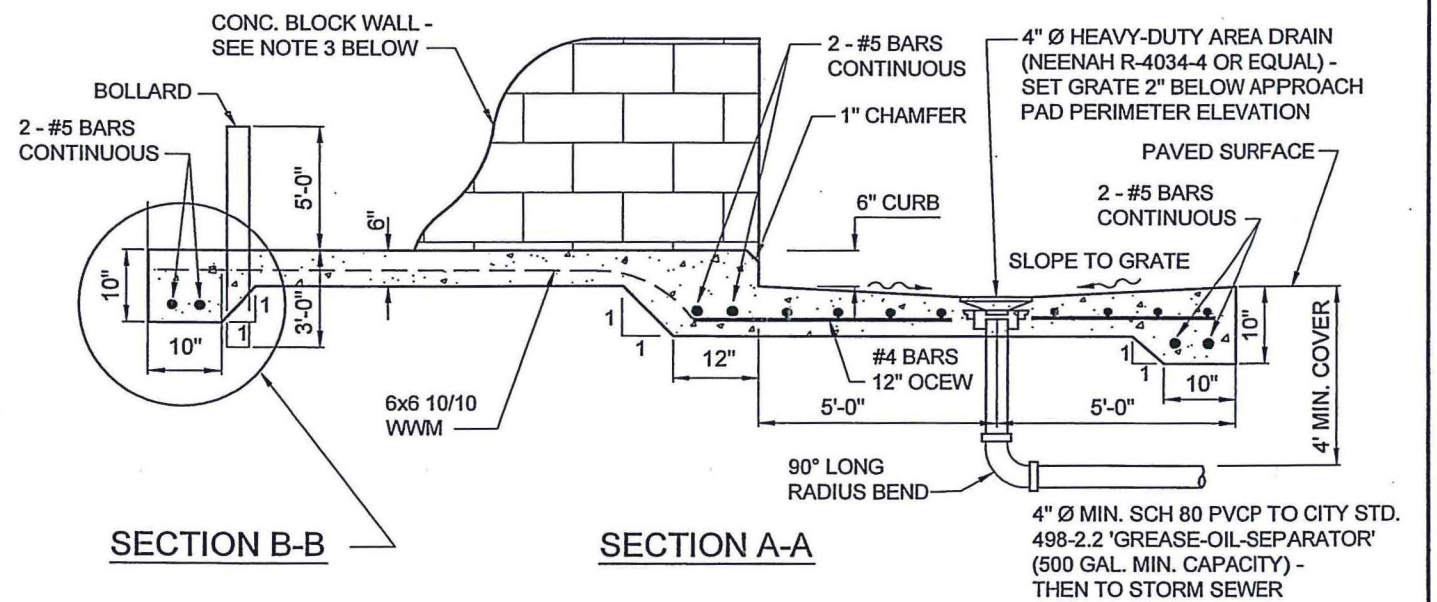
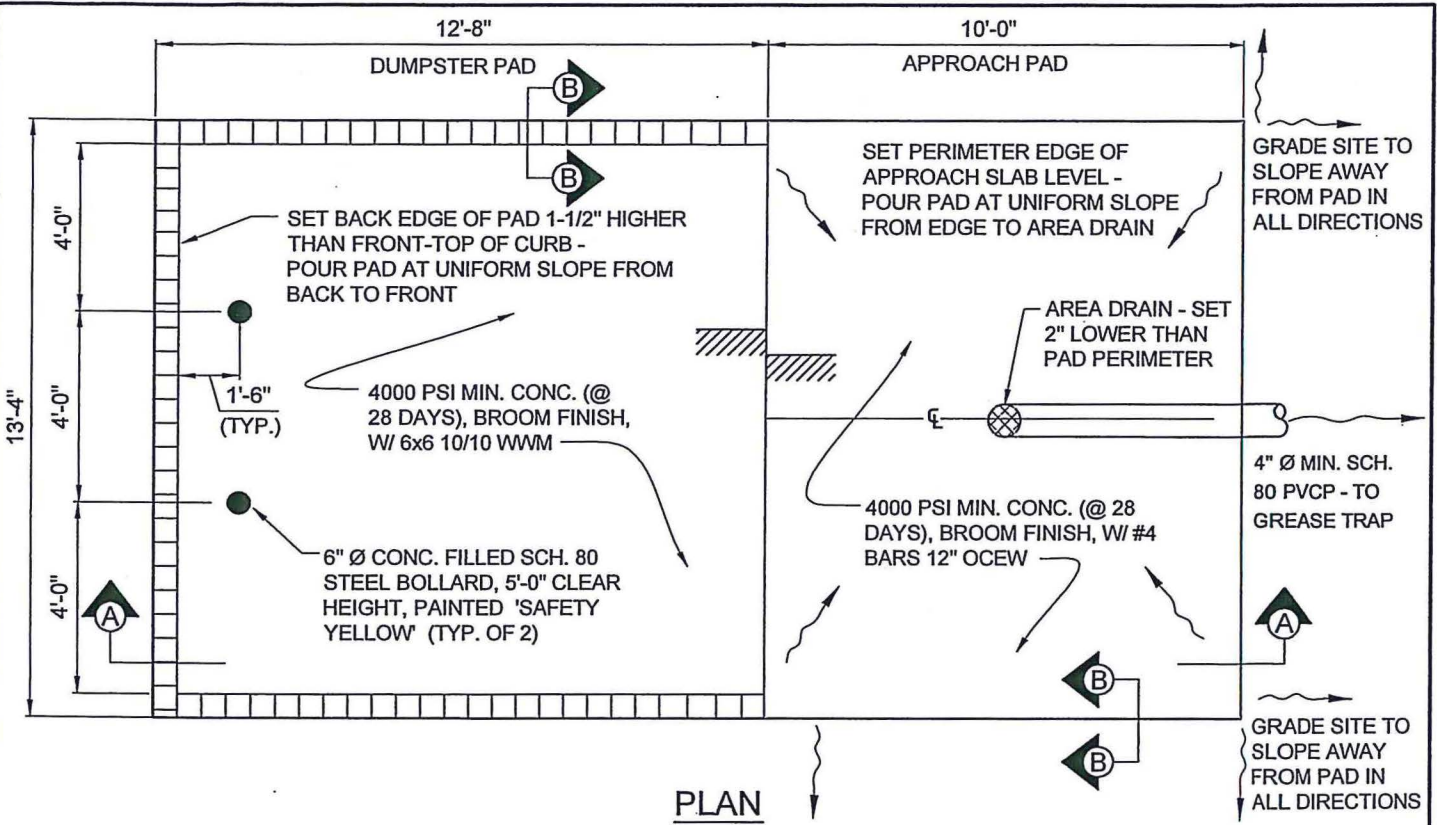


CITY OF OCALA  
**STANDARD**

**DUMPSTER PAD**

**D-4**

Version of  
MARCH 1, 2009



## COMMERCIAL DUMPSTER PAD TYPE 2-R

**NOTES:**

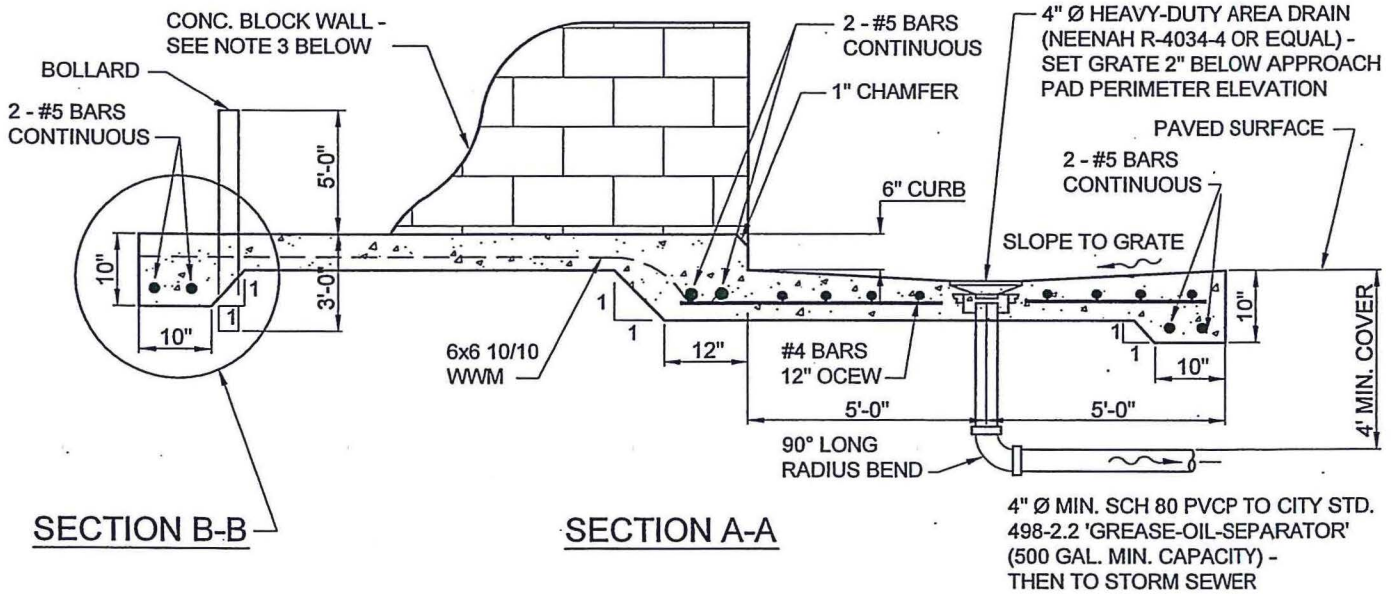
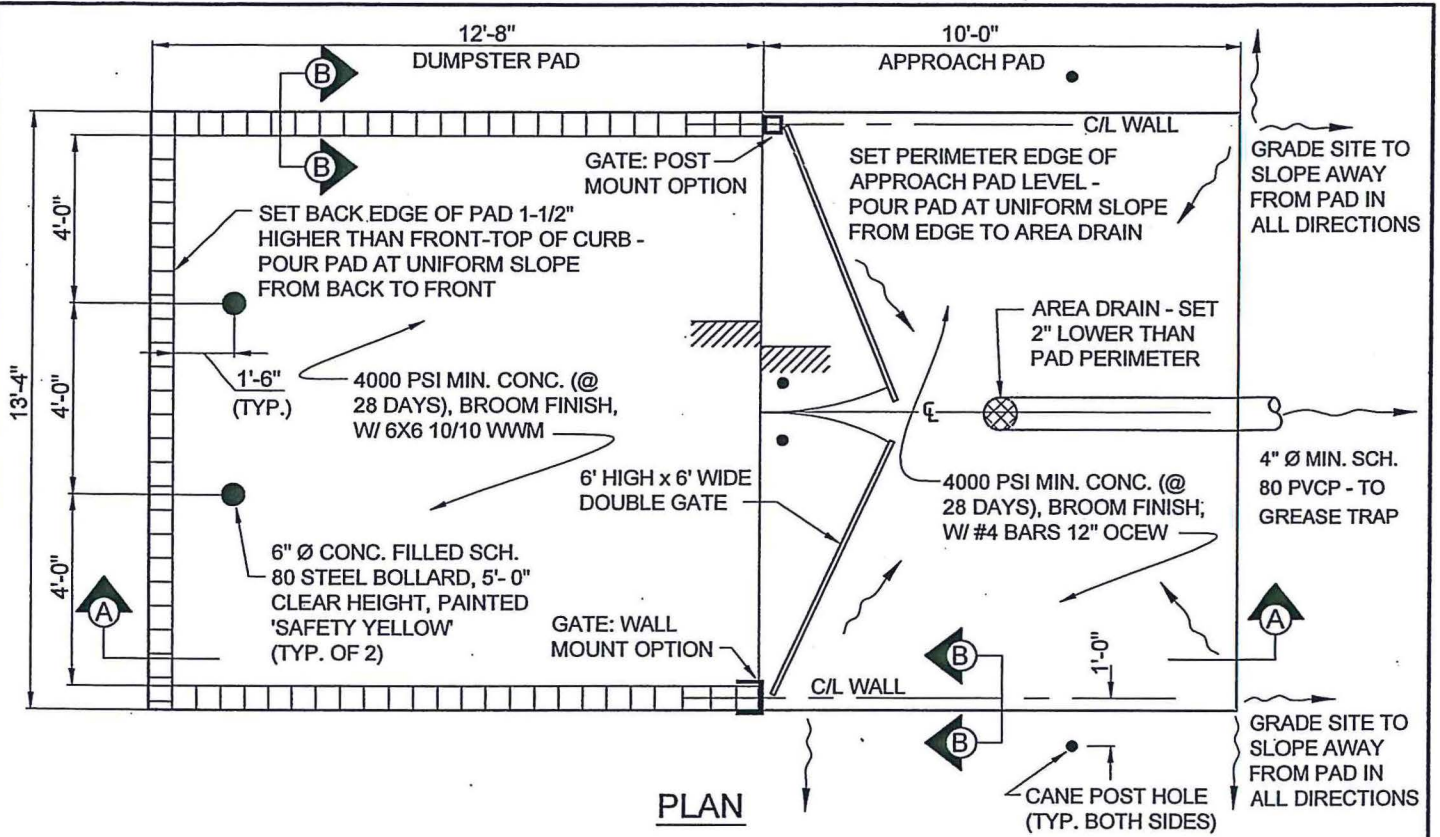
1. TYPE '2-R' DUMPSTER PAD IS FOR RESTAURANT FOOD WASTE APPLICATIONS ONLY.
2. USE TYPE '2' DUMPSTER PAD FOR ALL GENERAL USE PURPOSES INCLUDING RESTAURANT DRY RECYCLABLES APPLICATIONS.
3. ENGINEER SHALL USE THE CURRENT VERSION OF THE FL BLDG. CODE AND PREPARE A COMPLETE STRUCTURAL DESIGN FOR THE DUMPSTER PAD (INCLUDING FOOTING, 6'-0" MIN. HEIGHT CONC. BLOCK WALLS, BOND BEAM, WALL CAP, WALL SURFACE TREATMENT) AND THE APPROACH PAD, ALL MEETING THE MINIMUM CRITERIA SET FORTH IN THIS CITY STANDARD.



CITY OF OCALA  
**STANDARD**

**DUMPSTER PAD**

**D-5**  
Version of  
MARCH 1, 2009



## COMMERCIAL DUMPSTER PAD TYPE 3-R

### NOTES:

1. 'TYPE 3-R' DUMPSTER PAD IS FOR RESTAURANT FOOD WASTE APPLICATIONS ONLY.
2. USE 'TYPE 3' DUMPSTER PAD FOR ALL GENERAL USE PURPOSES INCLUDING RESTAURANT DRY RECYCLABLES APPLICATIONS.
3. ENGINEER SHALL USE THE CURRENT VERSION OF THE FL BLDG. CODE AND PREPARE A COMPLETE STRUCTURAL DESIGN FOR THE DUMPSTER PAD (INCLUDING FOOTING, 6'-0" MIN. HEIGHT CONC. BLOCK WALLS, BOND BEAM, WALL CAP, WALL SURFACE TREATMENT, AND GATE POST & GATE DOOR SYSTEM) AND FOR THE APPROACH PAD, ALL MEETING THE MINIMUM CRITERIA SET FORTH IN THIS CITY STANDARD.



CITY OF OCALA  
STANDARD

DUMPSTER PAD

D-6

Version of  
MARCH 1, 2009